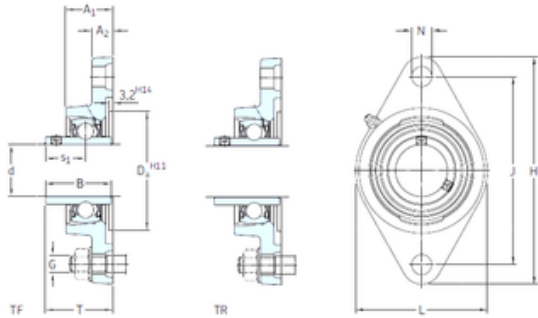


skf FYTB 35 FM Ball bearing oval flanged units



Bearing No. FYTB 35 FM

Bore Diameter	35 mm
d	35 mm
Da	88,9 mm
s1	29,4 mm
A1	34,5 mm
B1	38,9 mm
G	12 mm
H	156 mm
J	130 mm
L	96 mm
N	14 mm
T	50,4 mm
A2	13 mm
Weight	1,3 Kg
Basic dynamic load rating (C)	25,5 kN
Basic static load rating (C0)	15,3 kN
Fatigue load limit (Pu)	0,655
Category	Flange Block Bearings
Inventory	0.0
Manufacturer Name	SKF
Minimum Buy Quantity	N/A
Weight / Kilogram	1.3
EAN	7316577732675
Product Group	M06110
Number of Mounting Holes	2
Mounting Method	Eccentric Collar

FYTB 35 FM Bearing 2D drawings and 3D CAD models



NTN BEARING MANUFACTURING DE MEXICO,S...

Housing Style	2 Bolt Flange Block
Rolling Element	Ball Bearing
Housing Material	Cast Iron
Expansion / Non-expansion	Non-expansion
Mounting Bolts	12 Millimeter
Relubricatable	Yes
Insert Part Number	YET 207
Seals	M Seal
Housing Configuration	1 Piece Solid
Pilot Configuration	No Pilot
Inch - Metric	Metric
Long Description	2 Bolt Flange Block; 35MM Bore; 130MM Bolt Circle; 130MM Bolt Spacing; 1 Piece Solid; Eccentric Collar Mount; Cast Iron; Ball Bearing; 38.9MM Length Thru Bore; Relubricatable; M Seal Seals
Other Features	Single Row Standard Duty Narrow Inner Race Open End Y Bearing
Category	Flange Block
UNSPSC	31171501
Harmonized Tariff Code	8483.20.40.40
Noun	Bearing
Keyword String	Flanged
Manufacturer URL	http://www.skf.com
Manufacturer Item Number	FYTB 35 FM
Weight / LBS	2.87
Length Thru Bore	1.531 Inch 38.9 Millimeter
Bolt Spacing	5.118 Inch 130 Millimeter
Nominal Bolt Circle Diameter Round	5.1 Inch 130 Millimeter
Bore	1.378 Inch 35 Millimeter



NTN BEARING MANUFACTURING DE MEXICO,S...

Cartridge Pilot Diameter	0 Inch 0 Millimeter
Cartridge Pilot Depth	0 Inch 0 Millimeter
bore diameter:	35 mm
radial static load capacity:	15.3 kN
bolt center-to-center length:	130 mm
seal type:	Contact with Flinger
overall length/diameter:	96 mm
length through bore:	50.4 mm
bore type:	Round
finish/coating:	Uncoated
mounting type:	Two-Bolt Flange
maximum rpm:	5300 RPM
housing material:	Cast Iron
lubrication type:	Lubrication Fitting
locking device:	Eccentric Collar
series:	FYTB
expansion type:	Non-Expansion Bearing (Fixed)
replacement bearing:	YET 207
radial dynamic load capacity:	25.5 kN
manufacturer upc number:	7316577732675
Housing material	Cast iron
D_a	88.9 mm
D_{b1}	88 mm
D_{b2}	96 mm
A	34.5 mm
A_1	13 mm
A_3	3.2 mm
A_5	22 mm
B_1	38.9 mm
B_4	6.75 mm
s_1	29.4 mm



NTN BEARING MANUFACTURING DE MEXICO,S...

R_G	1/4-28 UNF
R_1	22 mm
R	45 °
D_N	6.5 mm
SW_N	7 mm
G_N	1/4-28 SAE-LT
J_6	106 mm
J_7	15 mm
N_4	2 mm
Basic dynamic load rating C	25.5 kN
Basic static load rating C_0	15.3 kN
Fatigue load limit P_u	0.655 kN
Limiting speed	5300 r/min
Mass bearing unit	1.2 kg
Thread grub screw G_2	M10x1
Hexagonal key size for grub screw N	5 mm
Recommended tightening torque for grub screw	16.5 N · m
Recommended diameter for attachment bolts, mm G	12 mm
Recommended diameter for attachment bolts, inch G	0.5 in