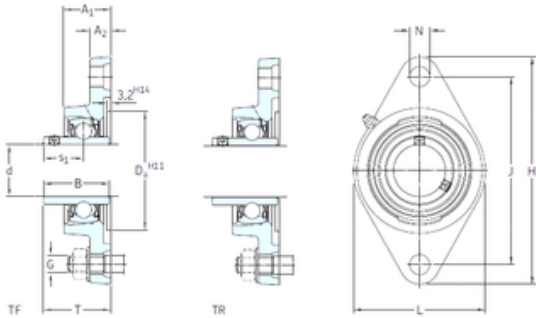


skf FYTJ 20 TF Ball bearing oval flanged units



Bearing No. FYTJ 20 TF

FYTJ 20 TF Bearing 2D drawings and 3D CAD models

Bore Diameter	20 mm
d	20 mm
Da	50,8 mm
s1	18,3 mm
A1	25,5 mm
B	31 mm
G	10 mm
H	112 mm
J	90 mm
L	60 mm
N	12 mm
T	33,3 mm
A2	12 mm
Weight	0,43 Kg
Basic dynamic load rating (C)	12,7 kN
Basic static load rating (C0)	6,55 kN
Fatigue load limit (Pu)	0,28
Category	Flange Block Bearings
Inventory	0.0
Manufacturer Name	SKF
Minimum Buy Quantity	N/A
Weight / Kilogram	0.51
EAN	7316570997323
Product Group	M06110
Number of Mounting Holes	2
Mounting Method	Set Screw



NTN BEARING MANUFACTURING DE MEXICO,S...

Housing Style	2 Bolt Flange Block
Rolling Element	Ball Bearing
Housing Material	Cast Iron
Expansion / Non-expansion	Non-expansion
Mounting Bolts	10 Millimeter
Relubricatable	Yes
Insert Part Number	YAR 204-2F
Seals	M Seal
Housing Configuration	1 Piece Solid
Pilot Configuration	No Pilot
Inch - Metric	Metric
Long Description	2 Bolt Flange Block; 20MM Bore; 90MM Bolt Circle; 90MM Bolt Spacing; 1 Piece Solid; Set Screw Mount; Cast Iron; Ball Bearing; 31MM Length Thru Bore; Relubricatable; M Seal Seals
Other Features	Single Row Wide Inner Race Open End Has Flinger
Category	Flange Block
UNSPSC	31171501
Harmonized Tariff Code	8483.20.40.40
Noun	Bearing
Keyword String	Flanged
Manufacturer URL	http://www.skf.com
Manufacturer Item Number	FYTJ 20 TF
Weight / LBS	1.12
Bore	0.787 Inch 20 Millimeter
Cartridge Pilot Diameter	0 Inch 0 Millimeter
Nominal Bolt Circle Diameter Round	3.5 Inch 90 Millimeter
Length Thru Bore	1.22 Inch 31 Millimeter
Cartridge Pilot Depth	0 Inch 0 Millimeter



NTN BEARING MANUFACTURING DE MEXICO,S...

Bolt Spacing	3.543 Inch 90 Millimeter
bore diameter:	20 mm
radial dynamic load capacity:	12.7 kN
bolt center-to-center length:	90 mm
radial static load capacity:	6.55 kN
overall length/diameter:	112 mm
length through bore:	31 mm
overall height:	33.3 mm
finish/coating:	Blue Alkyd/Acryl Paint (RAL 5007)
bore type:	Round
bolt size:	12 mm
mounting type:	Two-Bolt Flange
maximum rpm:	8500 rpm
housing material:	Cast Iron
lubrication type:	Lubrication Fitting
locking device:	Set Screw
series:	FYTJ
expansion type:	Non-Expansion Bearing (Fixed)
manufacturer product page:	Click here
bearing material:	Steel
manufacturer upc number:	7316570997323
Housing material	Cast iron
D_a	50.8 mm
D_{b1}	58 mm
D_{b2}	60 mm
A	25.5 mm
A_1	12 mm
A_3	3.2 mm
B_4	4.5 mm
s_1	18.3 mm



NTN BEARING MANUFACTURING DE MEXICO,S...

R_G	1/4-28 UNF
R_1	16.5 mm
R	45 °
D_N	6.5 mm
SW_N	7 mm
G_N	1/4-28 SAE-LT
J_6	74 mm
J_7	11.5 mm
N_4	2 mm
Basic dynamic load rating C	12.7 kN
Basic static load rating C_0	6.55 kN
Fatigue load limit P_u	0.28 kN
Limiting speed	8500 r/min
Mass bearing unit	0.42 kg
Thread grub screw G_2	M6x0.75
Hexagonal key size for grub screw N	3 mm
Recommended tightening torque for grub screw	4 N · m
Recommended diameter for attachment bolts, mm G	10 mm
Recommended diameter for attachment bolts, inch G	0.375 in