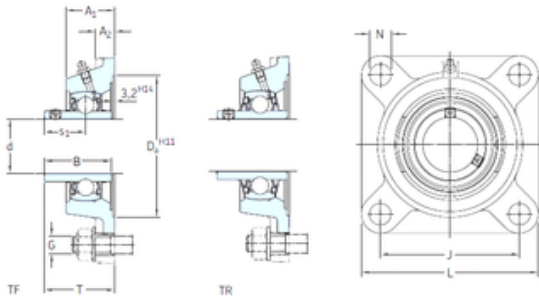


skf FYJ 1.3/4 TF Ball bearing square flanged units

Bearing No. FYJ 1.3/4 TF



FYJ 1.3/4 TF Bearing 2D drawings and 3D CAD models

Bore Diameter	44,45 mm
Width	49,2 mm
d	44,45 mm
s1	30,2 mm
A1	38 mm
B	49,2 mm
G	14 mm
J	105 mm
L	137 mm
T	52,2 mm
A2	18 mm
Weight	2,5 Kg
Basic dynamic load rating (C)	33,2 kN
Basic static load rating (C0)	21,6 kN
Fatigue load limit (Pu)	0,915
Housing material	Cast iron
D _a	119.1 mm
D _{b1}	107 mm
D _{b2}	108 mm
A	38 mm
A ₁	16 mm
A ₃	3.2 mm
N	16 mm
s ₁	30.2 mm
R _G	1/4-28 UNF
R ₁	22 mm



NTN BEARING MANUFACTURING DE MEXICO,S...

D_N	6.5 mm
SW_N	7 mm
G_N	1/4-28 SAE-LT
J_6	123 mm
J_7	33.5 mm
N_4	4 mm
Basic dynamic load rating C	33.2 kN
Basic static load rating C_0	21.6 kN
Fatigue load limit P_u	0.915 kN
Limiting speed	4300 r/min
Mass bearing unit	2.05 kg
Thread grub screw G_2	5/16-24 UNF
Hexagonal key size for grub screw N	3.969 mm
Recommended tightening torque for grub screw	6.5 N · m
Recommended diameter for attachment bolts, mm G	14 mm
Recommended diameter for attachment bolts, inch G	0.5625 in